

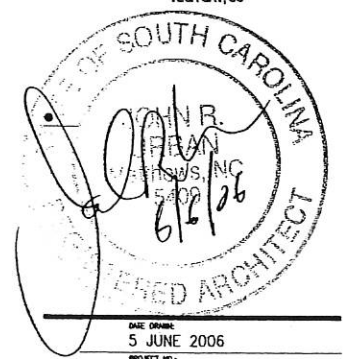


1242 Mann Drive, Suite 200
 Matthews, North Carolina 28105
 www.urbanarchitecturalgroup.com
 P: 704.841.1899 F: 704.841.8440

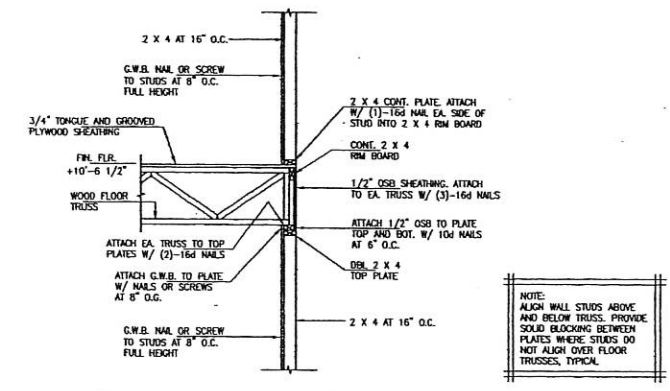
These drawings are an instrument of service provided by Urban Architectural Group, P.A.
 © 2006 URBAN ARCHITECTURAL GROUP P.A.
 All rights reserved. Unauthorized reproduction prohibited.



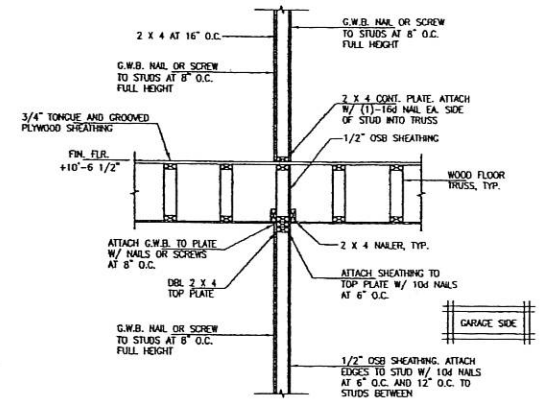
LAKE SHORE TOWN HOMES
 TEGA CAY, SC



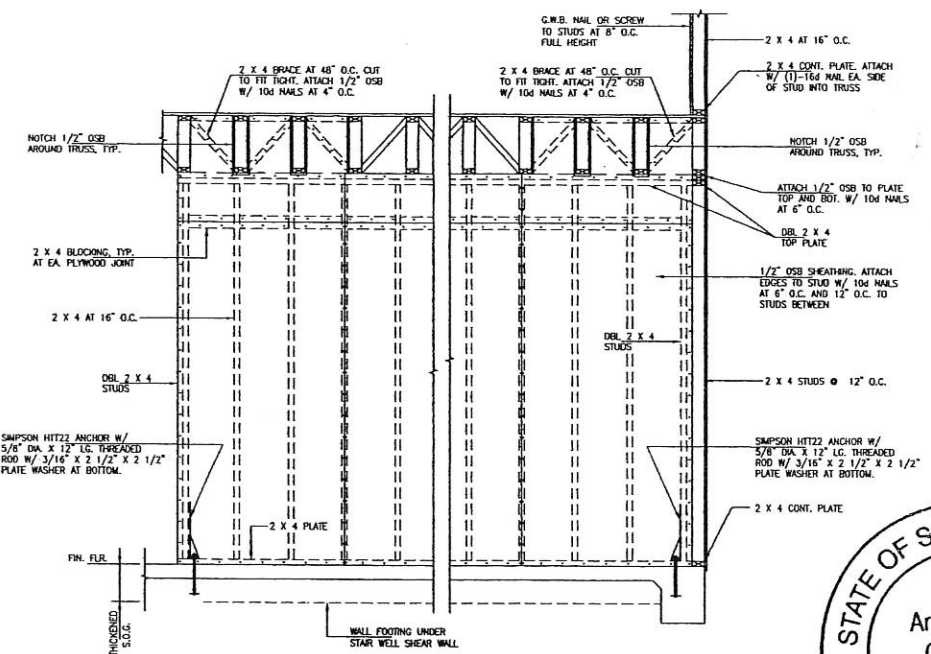
DATE DRAWN	5 JUNE 2006
PROJECT NO.	2530
ISSUED FOR	PERMIT & CONSTRUCTION
	5 JUNE 2006



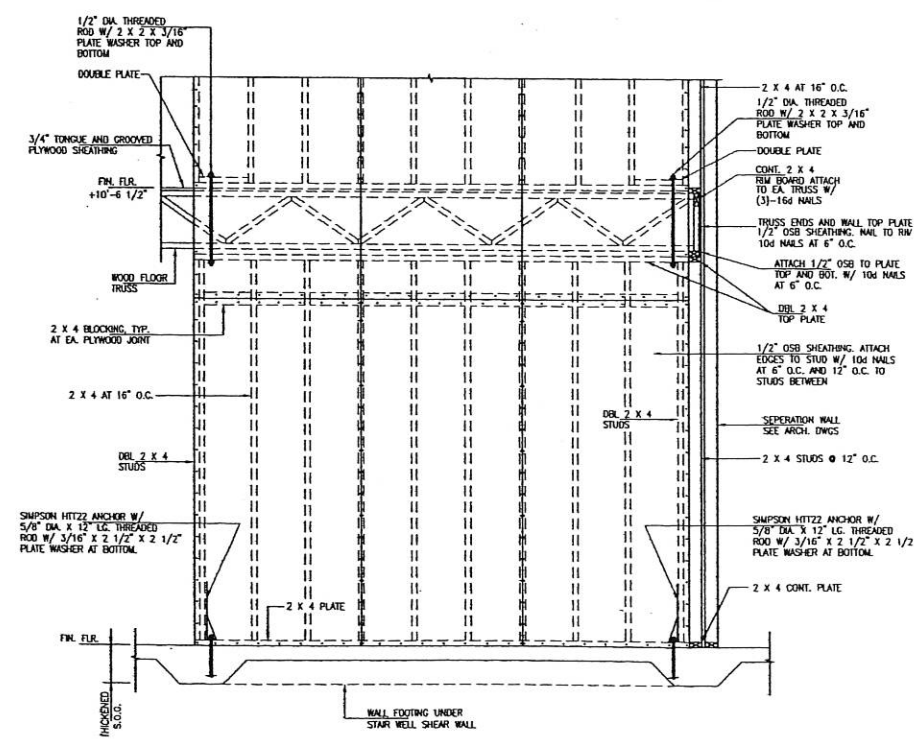
DETAIL - B Floor Truss Bearing @ Separation Wall, typ.
 1/2" - 1'-0" (1/4" - 1'-0" if on 11x17)



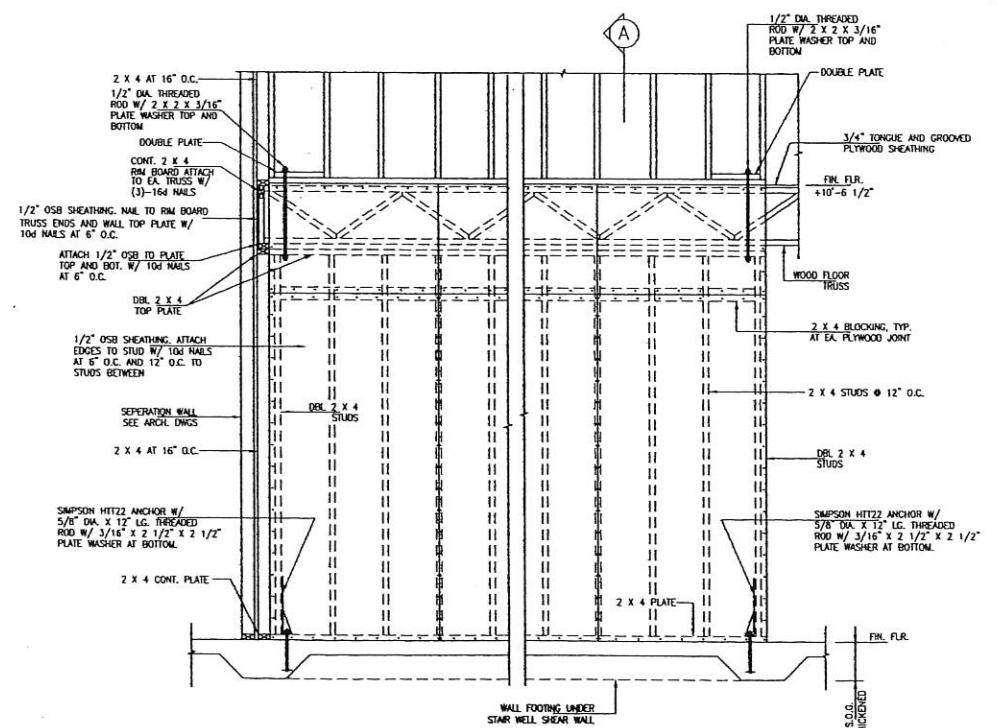
DETAIL - A Garage Shear Wall
 1/2" - 1'-0" (1/4" - 1'-0" if on 11x17)



DETAIL - C Garage Shear Wall, Perpendicular to Truss
 1/2" - 1'-0" (1/4" - 1'-0" if on 11x17)



DETAIL - D Stair Wall Shear Wall



DETAIL - E Shear Wall Parallel to Truss