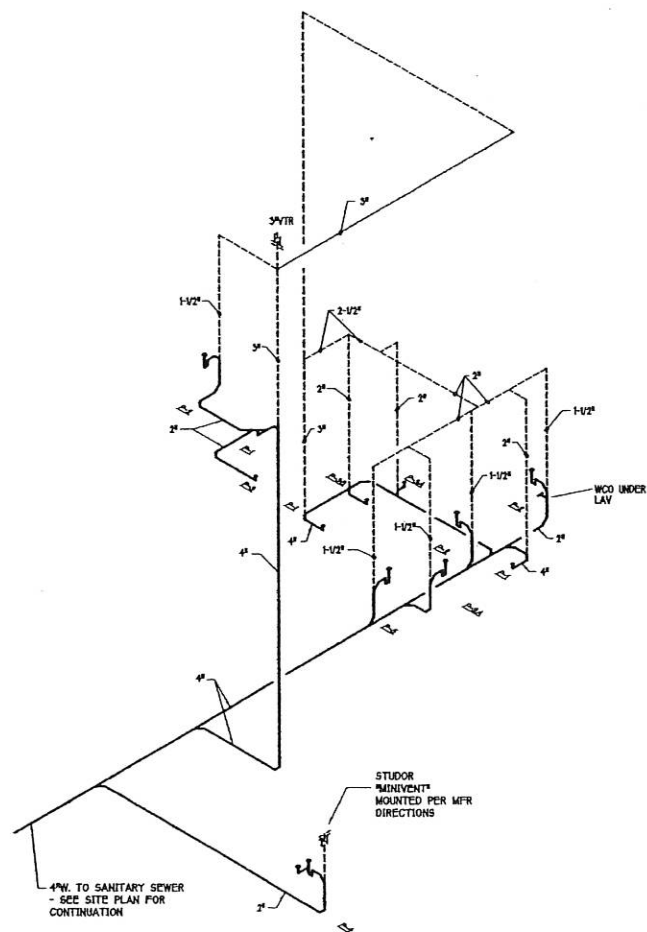
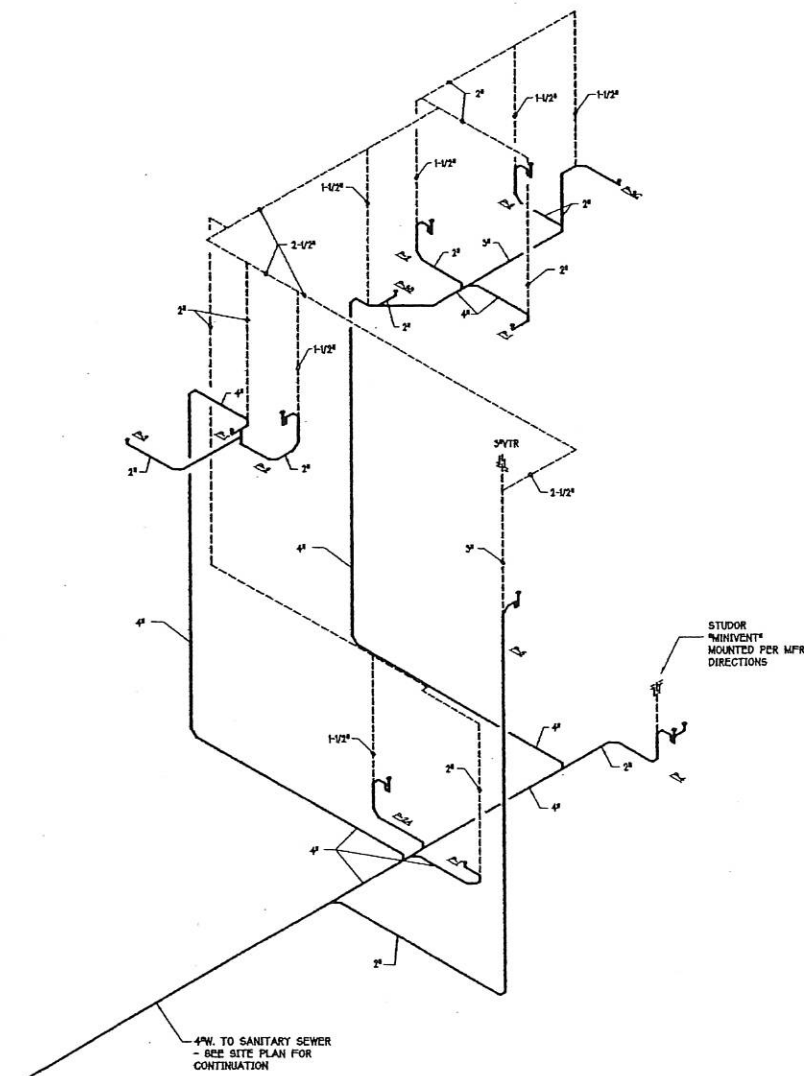


1  
P10  
2 STORY UNIT SANITARY RISER  
1/4" = 1'-0"



2  
P10  
2 STORY UNIT (ALT) SANITARY RISER  
1/4" = 1'-0"



3  
P10  
3 STORY UNIT SANITARY RISER  
1/4" = 1'-0"



**LAKE SHORE  
TOWN  
HOMES**

Tega Cay,  
South Carolina

DATE DRAWN:	06/09/05
PROJECT NO.:	2530
DESIGNED FOR:	Permit & Construction