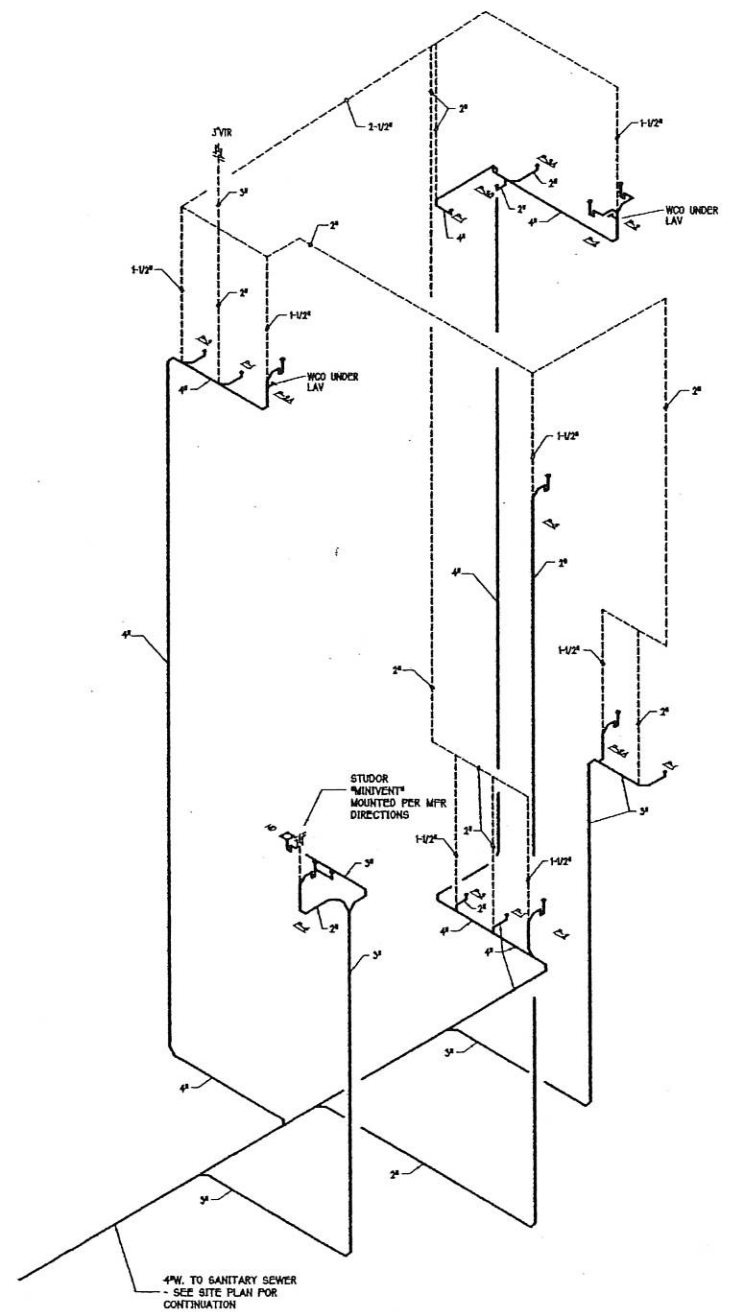
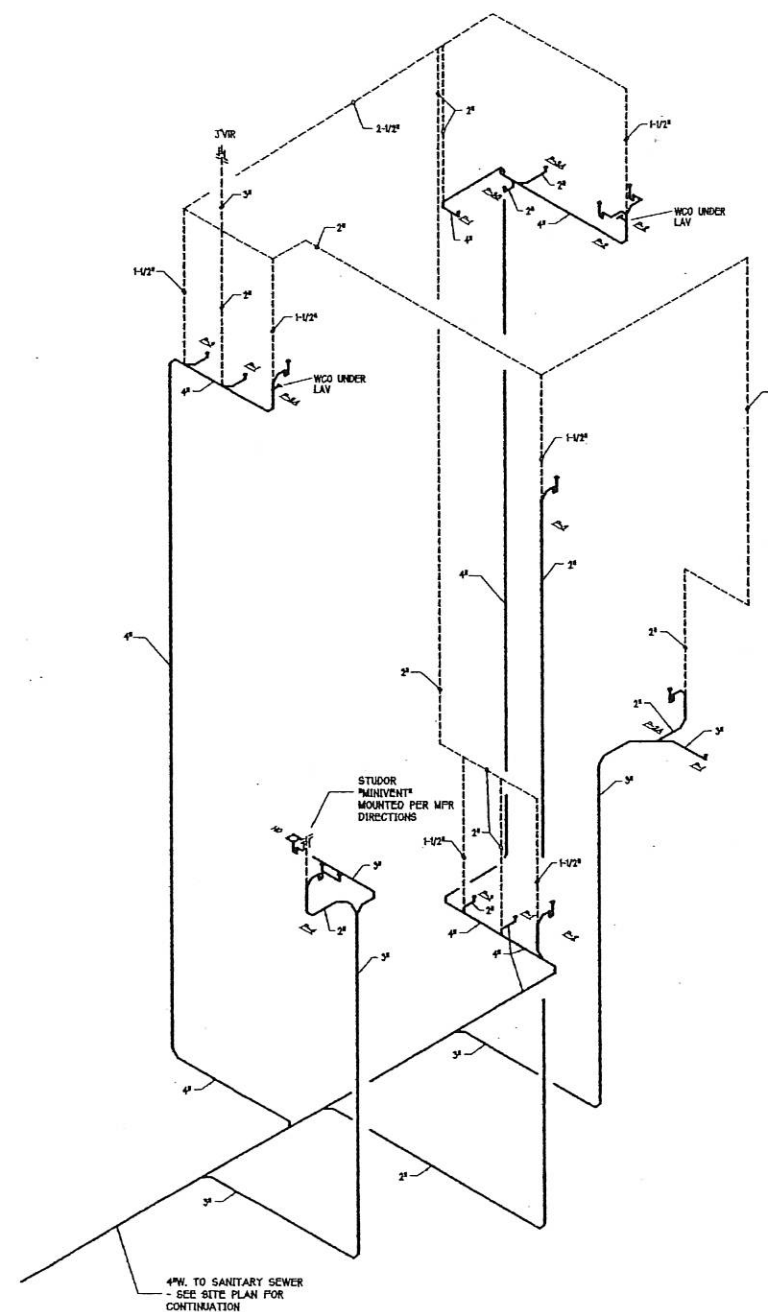


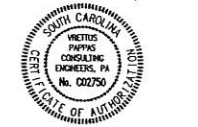
1
P11
4 STORY UNIT SANITARY RISER
1/4" = 1'-0"



2
P11
4 STORY UNIT (ALT) SANITARY RISER
1/4" = 1'-0"



3
P11
4 STORY UNIT (ELEV) SANITARY RISER
1/4" = 1'-0"



**LAKE SHORE
TOWN
HOMES**

Tega Cay,
South Carolina

DATE DRAWN	06/09/05
PROJECT NO.	2530
SCALE FOR	Permit & Construction: